








# H190T

## Technical data

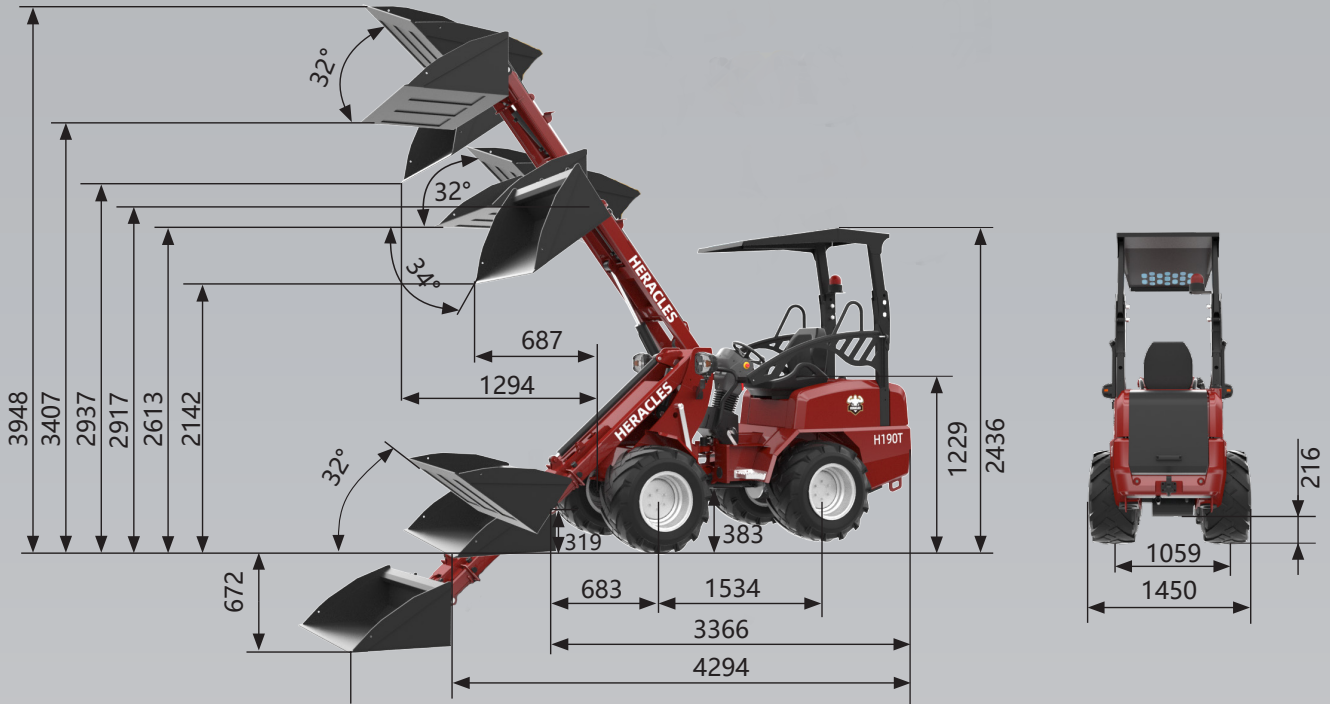


 Max Lifting Capacity	 Engine Power	 Travel Speed	 Hydraulic Flow	 Max Lifting Height
<b>1200</b> kg	<b>28.2</b> kw	<b>20</b> km/h	<b>40</b> l/min	<b>3.5</b> m

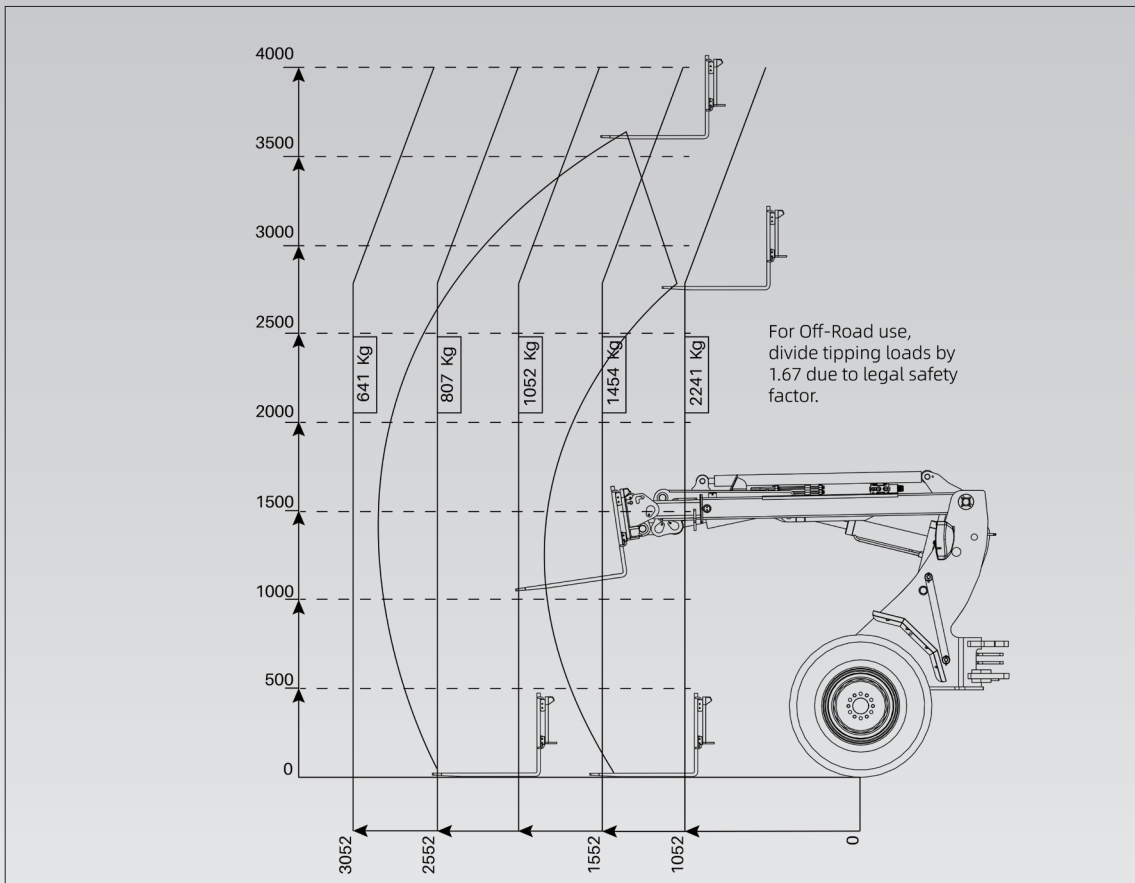


Technical data	H190T		
Engine model	YANMAR 3TNV88-BDTC	YANMAR 3TNV88-BWTY	Kubota D1703-M-DI-E4B-CBH1T
Fuel type	Diesel		
Cylinders	3		
Displacement cc	1642		1647
Emission standards	China Off-Road GB3	EU Stage V	EU Stage V&EPA Tier 4 Final
Max engine output kW	28.2@3000rpm	18.4@2000rpm	18.2@2200rpm
Max engine torque Nm	107.7@1800rpm	107.1@1200rpm	96@1500rpm
Cooling system	Water		
Operating voltage V	12		
Battery Ah	70		
Operating weight kg	2500		
Tipping load ,max kg	1500		
Lifting capacity,max kg	1200		
Operator's cab	Canopy		
Travel speed km/h	0~20		
Steering angle °	45		
Turn radius inside/outside mm	1124/3030		
Standard tires	10.0/75-15.3		
Fuel tank capacity l	30		
Hydraulic oil tank capacity l	30		
Working hydraulic flow l/min	40		
Working hydraulic pressure bar	200		
Transmission type	Hydrostatic		

# H190T Dimensions/mm



Tires size	Height	Width
10.0/75-15.3	2513	1160
400/60-15.5		1340



Products will continue to be optimized, so the technical data on this page may not be updated in real time.  
 For more information at: [www.heracles.eu](http://www.heracles.eu)  
 Or contact us (contact information is on the back cover).