








# H220T

## Technical data

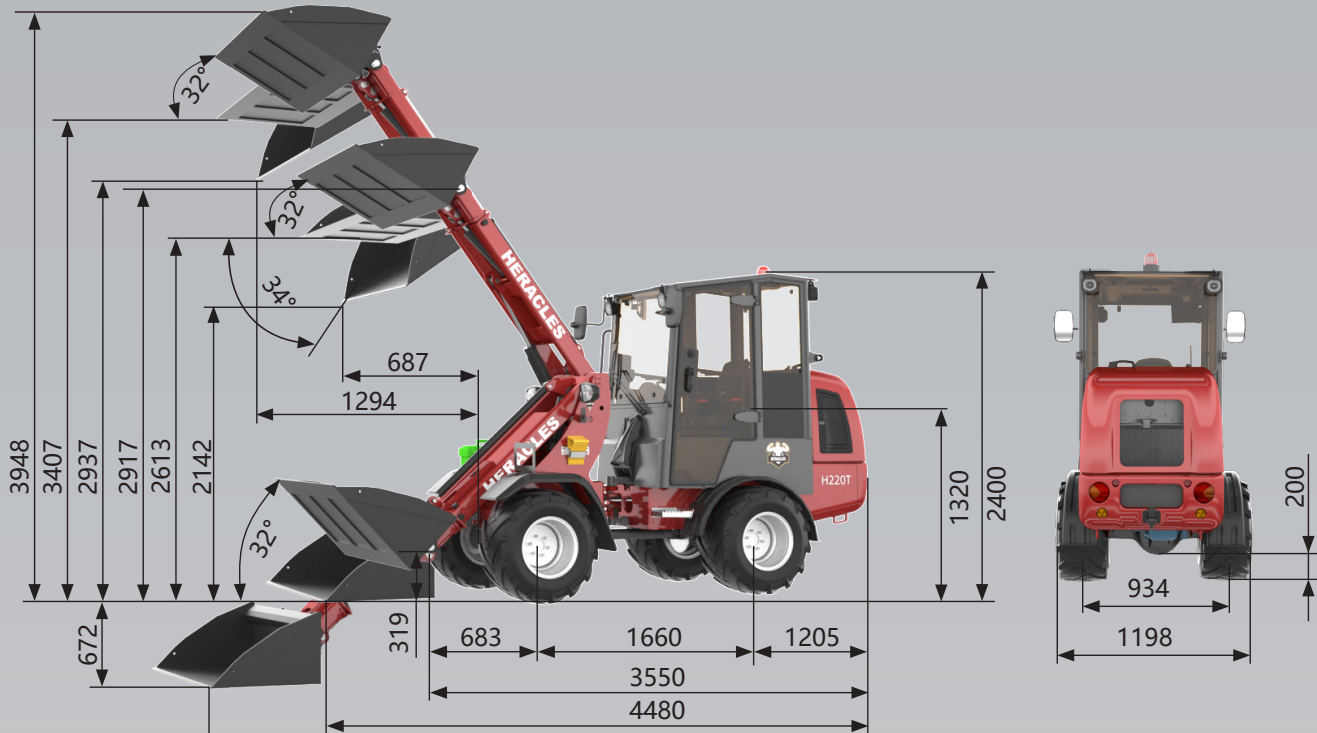


 Max Lifting Capacity	 Engine Power	 Travel Speed	 Hydraulic Flow	 Max Lifting Height
<b>1200</b> kg	<b>36.5</b> kw	<b>25</b> km/h	<b>40</b> l/min	<b>3.5</b> m

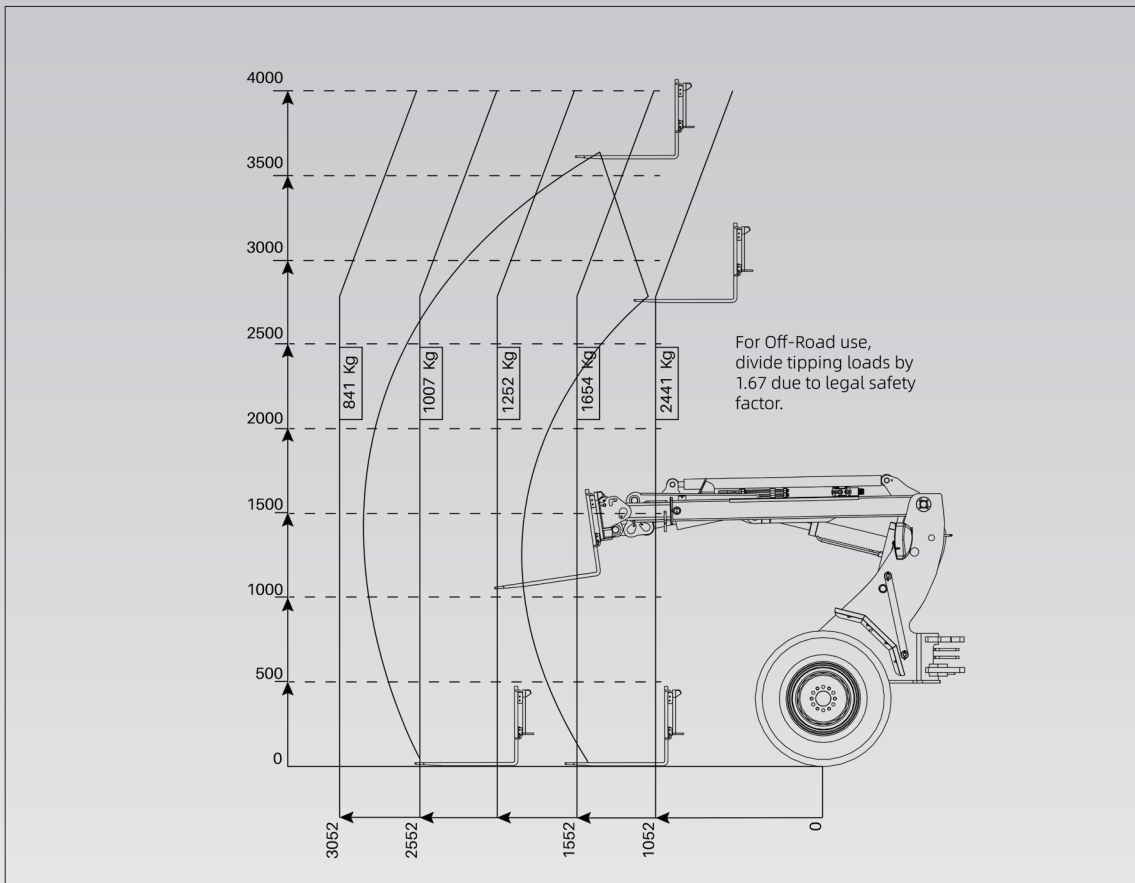


Technical data	H220T	
Engine model	YANMAR 4TNV88-BIGE	Kubota V2403-M-DI-E3B-CSL1T
Fuel type	Diesel	
Cylinders	4	
Displacement cc	2190	2434
Emission standards	EU Stage V	China Off-Road GB4
Max engine output kW	18.5@1500rpm	36.5@2600 rpm
Max engine torque Nm	141@1500rpm	158.6@1600rpm
Cooling system	Water	
Operating voltage V	12	
Battery Ah	70	
Operating weight kg	2700	
Tipping load ,max kg	1500	
Lifting capacity,max kg	1200	
Operator's cab	Cabin	
Travel speed km/h	0~25	
Steering angle °	45	
Turn radius inside/outside mm	1710/3270	
Standard tires	10.0/75-15.3	
Fuel tank capacity l	50	
Hydraulic oil tank capacity l	50	
Working hydraulic flow l/min	40	
Working hydraulic pressure bar	200	
Transmission type	Hydrostatic	

# H220T Dimensions/mm



Tires size	Height	Width
10.0/75-15.3	2395	1198
31/15.5-15	2400	1450



Products will continue to be optimized, so the technical data on this page may not be updated in real time.  
For more information at: [www.heracles.eu](http://www.heracles.eu)  
Or contact us (contact information is on the back cover).