








# H580T

## Technical data



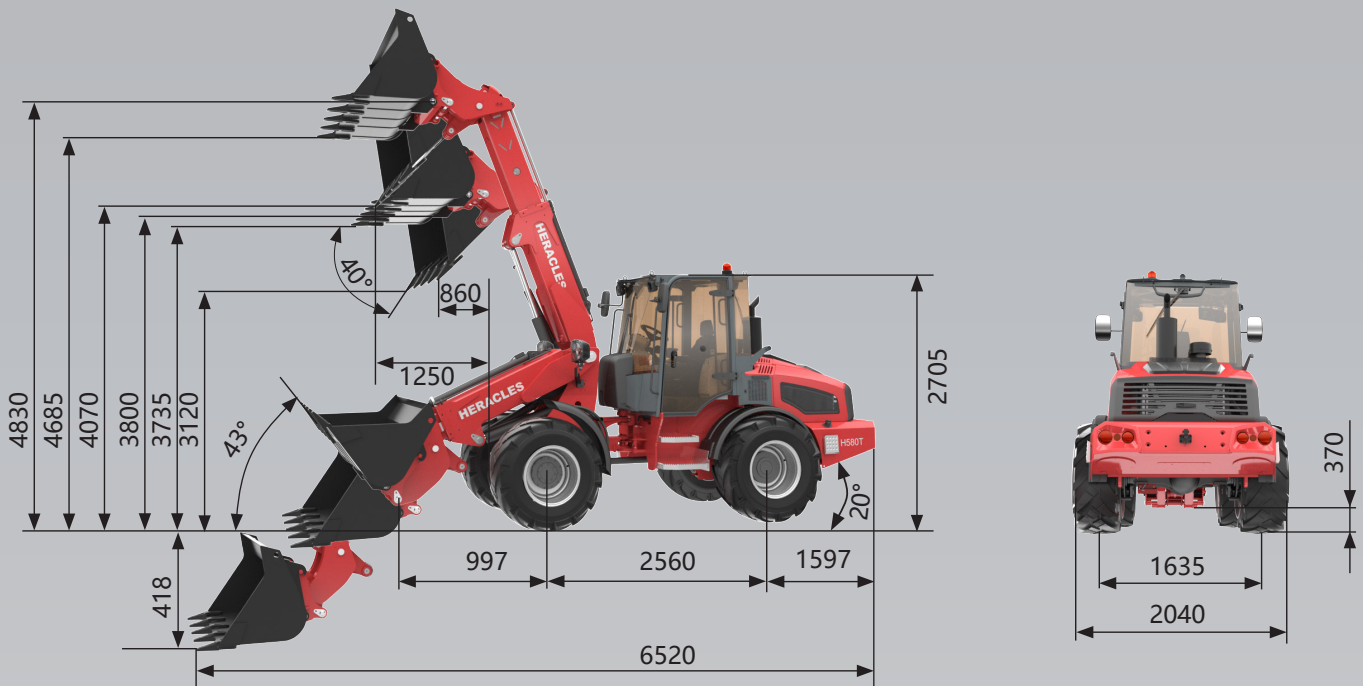
 Max Lifting Capacity	 Engine Power	 Travel Speed	 Hydraulic Flow	 Max Lifting Height
<b>3000</b> kg	<b>76</b> kw	<b>35</b> km/h	<b>90</b> l/min	<b>4.7</b> m



Technical data	H580T			
<b>Engine model</b>	YUNNEI YN38-GBZ	XINCHAI 4E30YG52 004	KOHLER KDI2504TCR	Cummins QSD2.8-T4F
<b>Fuel type</b>	Diesel			
<b>Cylinders</b>	4			
<b>Displacement cc</b>	3800	3000	2504	2800
<b>Emission standards</b>	China II	Eu V	EPA 4 Final	
<b>Max engine output kW</b>	76@2400rpm	55.2@2200rpm	55.4@2200rpm	54@2400
<b>Max engine torque Nm</b>	350@1500rpm	310@1500rpm	302@1600rpm	300@1600rpm
<b>Cooling system</b>	Water			
<b>Operating voltage V</b>	12			
<b>Battery Ah</b>	120			
<b>Operating weight kg</b>	6000			
<b>Tipping load ,max kg</b>	3500			
<b>Lifting capacity,max kg</b>	3000			
<b>Operator's cab</b>	Cabin			
<b>Travel speed km/h</b>	0~35			
<b>Steering angle °</b>	40			
<b>Turn radius inside/outside mm</b>	2660/4950			
<b>Standard tires</b>	16/70-20			
<b>Fuel tank capacity l</b>	50			
<b>Hydraulic oil tank capacity l</b>	50			
<b>Working hydraulic flow l/min</b>	90			
<b>Working hydraulic pressure bar</b>	190			
<b>Transmission type</b>	Hydrostatic			

# H580T

## Dimensions/mm



Tires size	Height	Width
16/70-20	2705	2040

Products will continue to be optimized, so the technical data on this page may not be updated in real time.  
 For more information at: [www.heracles.eu](http://www.heracles.eu)  
 Or contact us (contact information is on the back cover).